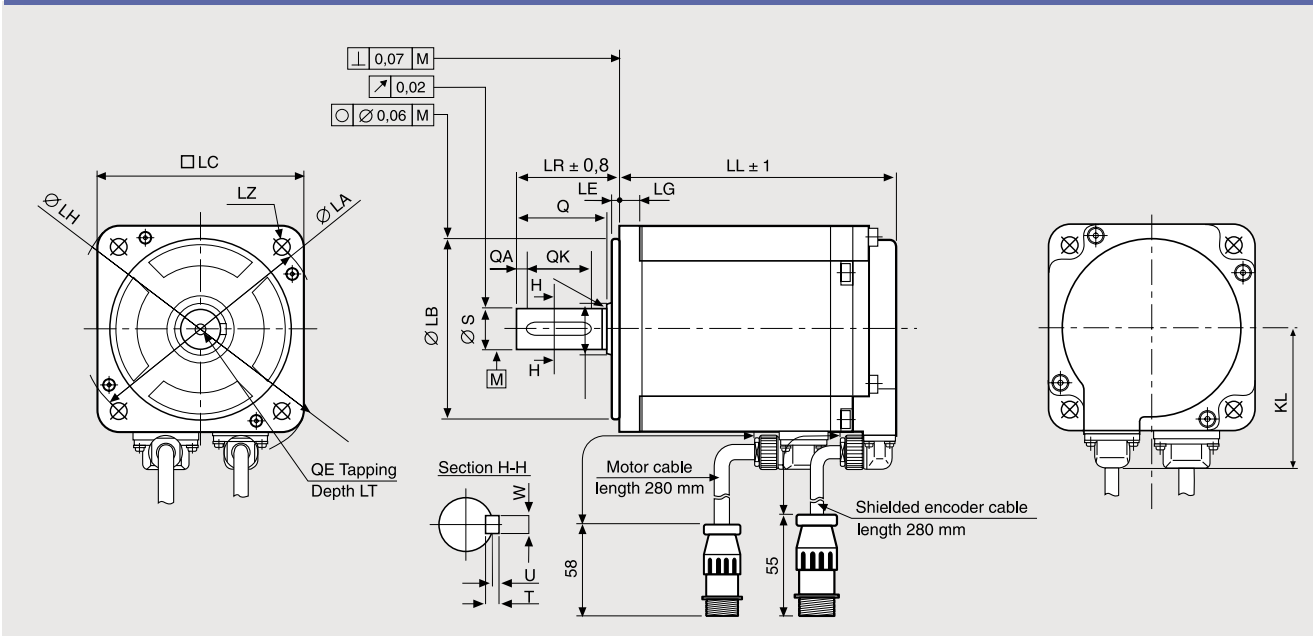


# R2AA08075FXH11M (R2AA08075FCH11M)

SANYO DENKI  
SANMOTION



## Dimensions (Unit:mm)

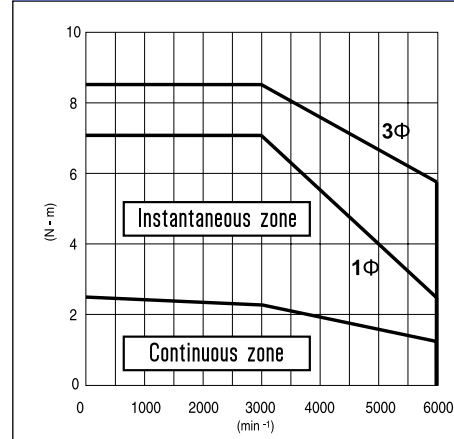


without brake	with brake	LG	KL	LA	LB	LE	LH	LC	LZ	LR	S	Q	QA	QK	W	T	U	QE	LT
LL	LL	8	54.4	90	70-0.030 <sup>0</sup>	3.0	108	80	4-Ø6.6	40	16-0.011 <sup>0</sup>	35	4	25	5	5	2	M5	12

## FEATURES

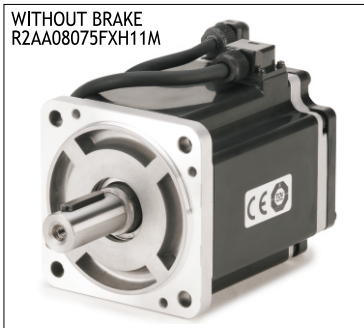
MODEL	R2AA08075FXH11M	
NOMINAL POWER	(W)	750
NOMINAL SPEED	(rpm)	3000
MAXIMUM SPEED	(rpm)	6000
NOMINAL TORQUE	(Nm)	2.390
STALL TORQUE	(Nm)	2.550
MAXIMUM TORQUE	(Nm)	8.50
INERTIA	(Kg*m <sup>2</sup> )	1.820x10 <sup>-4</sup>
ENCODER	(imp./rev)	131072 (17 bit)
PROTECTION DEGREE		IP67
WEIGHT	[version with brake] (Kg)	2.60 [3.45]

## TORQUE CURVE R2AA08075F [750W] + RS3A03



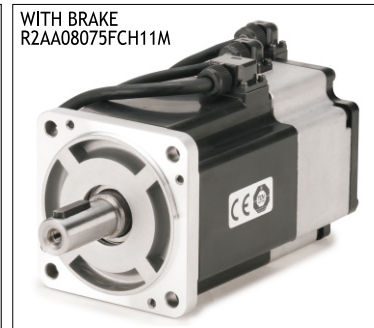
R.T.A. s.r.l. PAVIA (ITALY) SANYO DENKI CO., Ltd (JAPAN)

\* Protection degree IP67 (except for the shaft hole and the edge of the cable).



Indicated performances refer to motor controlled by related new RS3 standard and EtherCat amplifiers.

1Φ torque curve with single phase power supply  
3Φ = torque curve with three-phase power supply



## Suggested amplifiers: RS3A03A0AL0W00P, RS3A03A2HA4W00P, RS3A03A0AL2



R.T.A. s.r.l.  
Via E. Mattei - Fraz. Divisa  
27020 Marcignago (PV) (Italy)  
T +39.0382.929.855  
F +39.0382.929.150  
www.rta.it

R.T.A. Deutschland GmbH  
Bublitzter Strasse 34, 40599  
Duesseldorf (Germany)  
T +49.211.749.668.60  
F +49.211.749.668.66  
www.rta-deutschland.de

R.T.A. IBERICA  
C/Generalitat 22, Local 1  
08850 Gava - Barcelona (Spain)  
T +34 936.388.805  
F +34 936.334.595  
www.rta-iberica.es

R.T.A. INDIA Pvt  
Teerth Business Center 3<sup>rd</sup> Floor, Unit No. 7,  
Block EL-15, MIDC Bhosari Pimpri-Chinchwd,  
Pune 411026 (India)  
Tel. +91 9422507445  
www.rta-india.in